

## Bondura Multi Tool - Cone Puller

Type: BMT – M - 070

For Bondura diameter  $\varnothing 70 - \varnothing 140\text{mm}$



### The disassembly multi tool fit up to:

Cone for Bondura 6.6  
Cone for Bondura 6.1  
Cone for Bondura 66.66

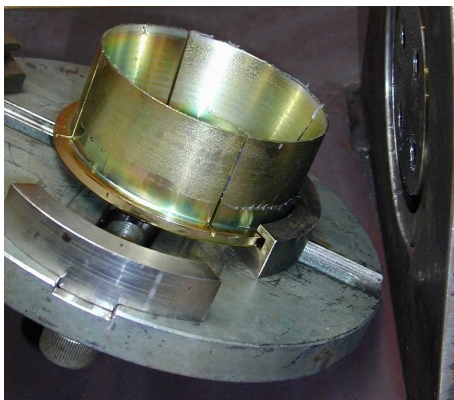
### Loosen the bolt and remove the locking plate

The bolt must be completely loosened so that neither the bolt nor the taper sleeve bears on the support. The screws/ locking plate are then removed. The taper sleeves have exterior flanges for attaching to the Bondura Multi Tools Jaw (pos.3).



### Connect the withdrawal tools

on the cone. The withdrawal tool with adjustable jaws is fitted around the cone flange.



### Attach puller

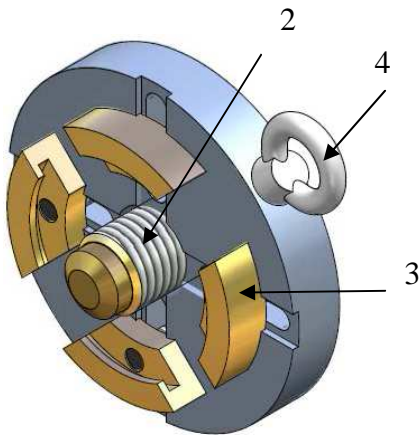
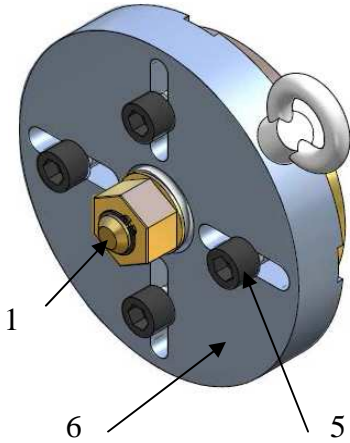
The withdrawal tool with adjustable jaws is fitted around the cone flange.

# Bondura Multi Tool - BMT - M - 070

Cone puller for Bondura diameter  $\varnothing 70 - 140\text{mm}$

### Cone puller designation

Position	Description	Item no	Content	Pieces
Pos 1:	Puller shaft	101565	1 pcs	<input type="checkbox"/>
Pos 2:	Puller screw M42	101566	1 pcs	<input type="checkbox"/>
Pos 3:	Jaw M14 sett 70–140	101563	4 pcs	<input type="checkbox"/>
Pos 4:	Lifting eye M16	101486	1 pcs	<input type="checkbox"/>
Pos 5:	Screws M14x40	100080	4 pcs	<input type="checkbox"/>
Pos 6:	Pulling plate 070	101564	1 pcs	<input type="checkbox"/>



..... / .....

date of delivery / signature